



Model

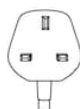
MP9

Product Description

Planetary Mixer, 9 litre, Heavy Duty

Product Code

5MP9



Standard Features

- Heavy duty 9ltr, counter-top, planetary mixer
- Particularly suitable for bakeries, hotels, restaurants, canteens etc
- Easy to operate
- Planetary mixing action and digital timer ensures perfect results
- High torque, 650 Watts motor allows mixing of stiffer doughs and larger batches
- Automatic electronic 10-speed control and digital timer
- 10 Variable speeds from 181 rpm to 561 rpm
- Non-stop shifting speed
- Interlocking bowl guard and bowl lift
- Perspex safety guard with ingredient chute and automatic shut-off when guard is opened at any speed
- Overload protection (NVR device)
- Long lasting lubricant providing abrasion resistant transmission
- Transmission gears are made of heat treated, hardened steel
- All metal and die-cast aluminium body
- Quiet operation

Standard Accessories / Attachments

- 1 x Whisk
- 1 x Beater
- 1 x Dough Hook
- 1 x 9 litre stainless steel bowl

Warranty

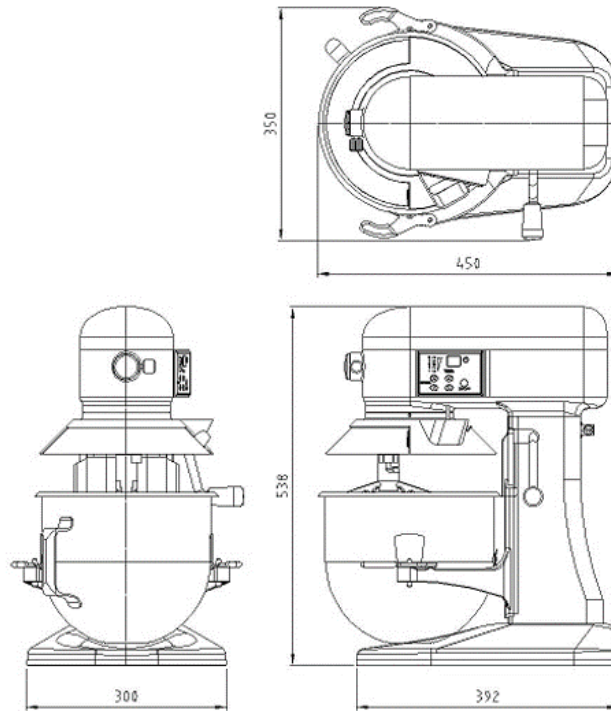
Covered by Metcalfe 3-year warranty (1st year parts and labour, 2nd & 3rd years parts only) and full after sales service

Optional Accessories / Attachments

Item	Product Code
Bowl	MPD10-12-001
Beater	MPD10-12-002

Item	Product Code
Dough Hook	MPD10-12-003
Whisk	MPD10-12-004

Drawing



Specifications

Model	Capacity (ltr)	Phase (Ø)	Motor (Volt)	Frequency (Hz)	Power (kW) / (hp)	Speed (rpm)
MP9	9	1	220-240	50	0.65 / 0.87	181-561

Dimensions | Shipping Information

Model	Overall Dimensions D x W x H (mm)	Net Weight (kg)	Packed Dimensions D x W x H (mm)	Packed Weight (kg)	Volume (m3)
MP9	450 x 350 x 538	20	540 x 420 x 640	22	0.145

We reserve the right to alter the specification and technical details for this item at any time without prior notice. 05/2021

Metcalfe Catering Equipment Ltd

Haygarth Park
Blaenau Ffestiniog
Gwynedd, LL41 3PF

